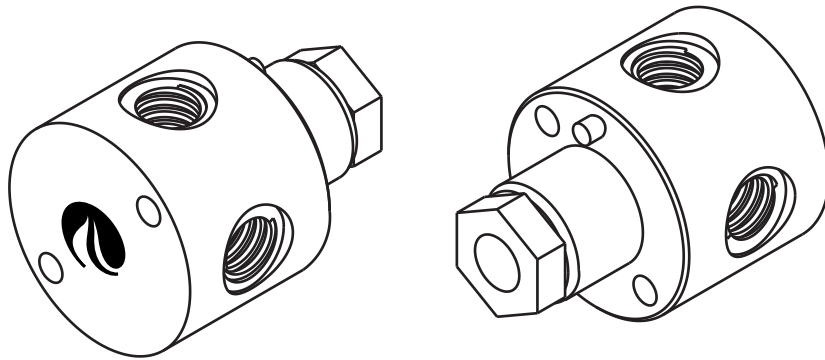
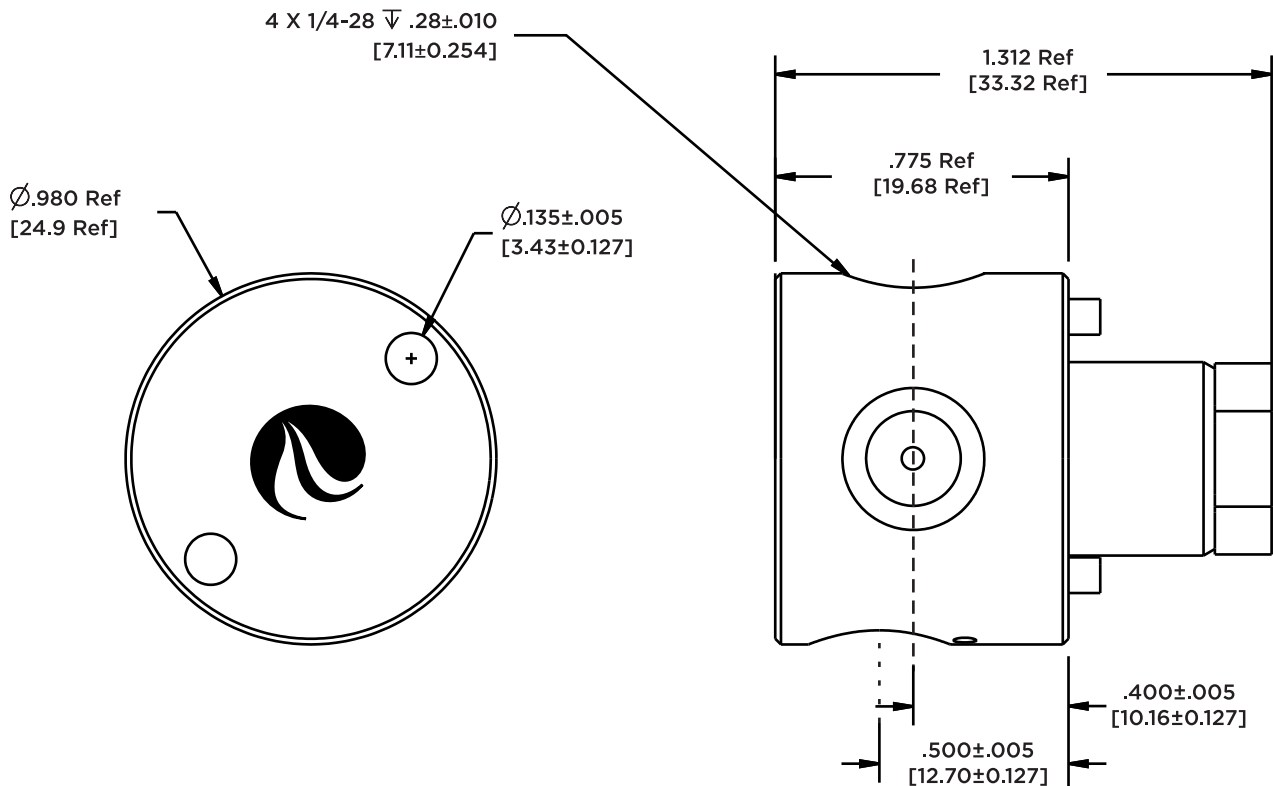


90° 4-Port Distribution Valve Interfaces

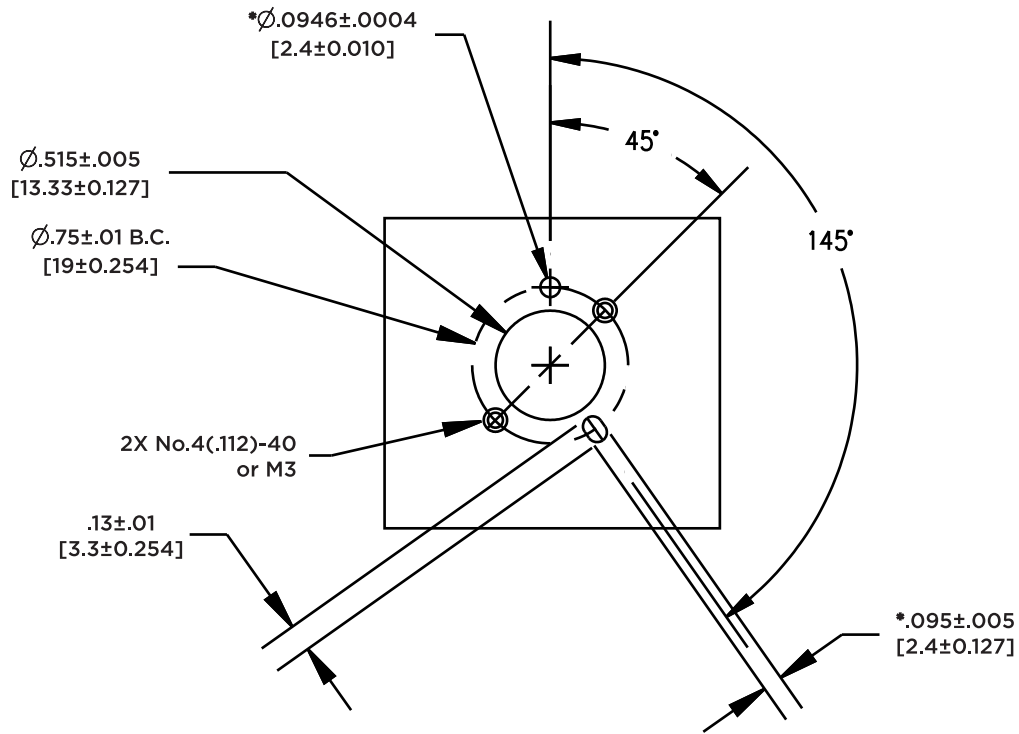
TriContinent rotary valves can also be interfaced to valve positioners within instruments for fluid selection and redirection. TriContinent rotary valves have been specifically developed to provide unsurpassed life and reliability in instrument applications.



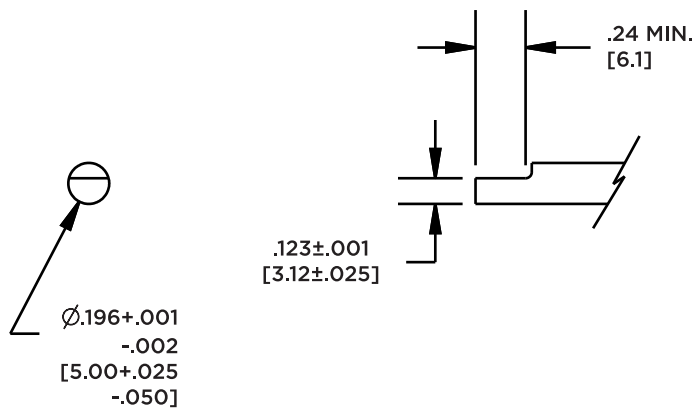
Valve Outline Detail



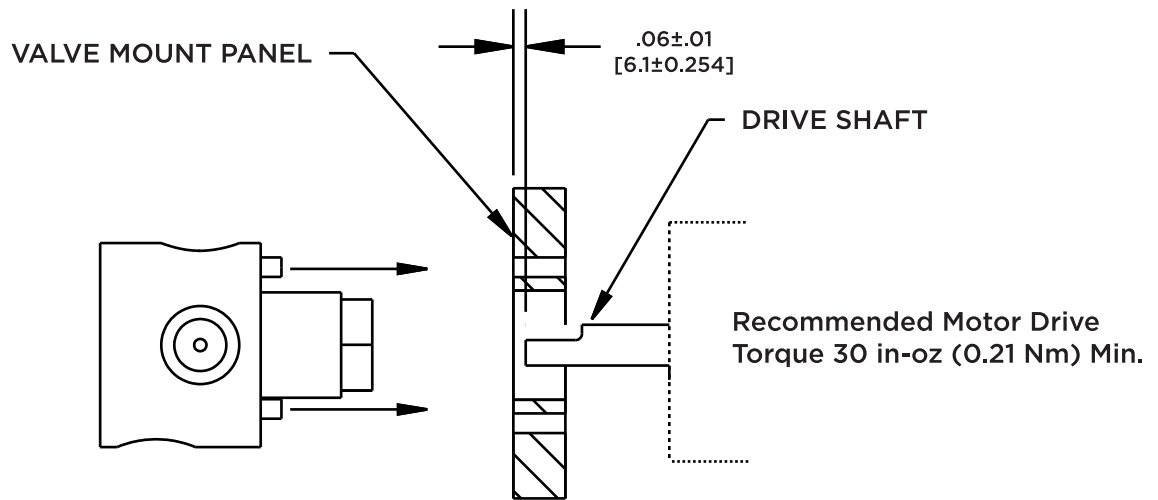
Suggested Panel Mounting Detail



Drive Shaft Interface Detail



Valve to Drive Shaft Panel Requirement



Drive Shaft Flat Relative to Port Position (Viewed from Front of Valve)

