

AccuPump2 Syringe Pumps

FEATURES

- > A replacement for industry standard pumps using the Cavro® protocol
- > New and improved electronics
- > Both diluent and sample pumps accommodate a range of volumes and configurations
- > Diluent model comes with a polycarbonate valve or optional nylon valve
- > Economical, including low preventative maintenance costs
- > Address up to 15 pumps individually

PRODUCT SPECIFICATIONS

Drive Design	Direct drive stepper motor/leadscrew with 33 mm of travel (16.5 mm for small volume syringes). Manually movable for "power off" syringe removal.
Syringe Speed	2 seconds to 60 seconds per stroke
Step Resolution Short Stroke Long Stroke	1000 steps full stroke for 50 µL—500 µL syringes 2000 steps full stroke for 2 mL—10 mL syringes
Electrical Interface	15-pin male DSUB
Power Rating	≤ 500 mA (peak)
Power Requirements	24 VDC ± 10%
Interface Type	RS232, RS485 or CAN
Communication Rates	RS232/RS485 - 9600 or 38400 baud, CAN - 100 K, 125 K, 250 K, 500 K, 1 M baud
Format (RS232/RS485)	Data Bits - 8, Parity - None, Stop Bit - 1 Half Duplex, Data Terminal and OEM protocols
Fluid Contact Syringe Materials Valve Materials	Borosilicate Glass, PTFE, Polypropylene Nylon body & HDPE plug or Polycarbonate body & HDPE plug
Operating Temperature	15°C to 40°C (59°F to 104°F)
Operating Humidity	20 to 95% RH at 40°C (104°F)
Media Temperature	15°C to 40°C (59°F to 104°F)

CONFIGURED OPTIONS

Valves	AccuPump2 for Diluent (with valve) AccuPump2 for Sample (without valve)
Valve Materials	Nylon body & HDPE plug or Polycarbonate body & HDPE plug
Syringe Sizes	Diluent Syringe Sizes - 500 µL, 2 mL, 5 mL, 10 mL Single Port Sample Syringe Sizes - 250 µL, 500 µL, 2 mL, 5 mL, 10 mL Dual Port Sample Syringe Sizes - 50 µL, 250 µL

MODELS

AccuPump2 for Diluent
(with valve)

AccuPump2 for Sample
(without valve)



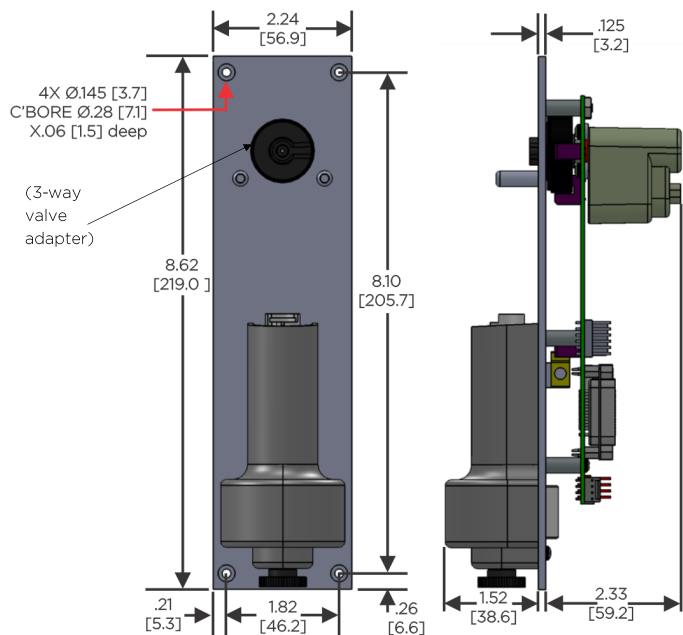
(Shown with optional syringe/valve/syringe holder)

FUNCTIONAL PARAMETERS

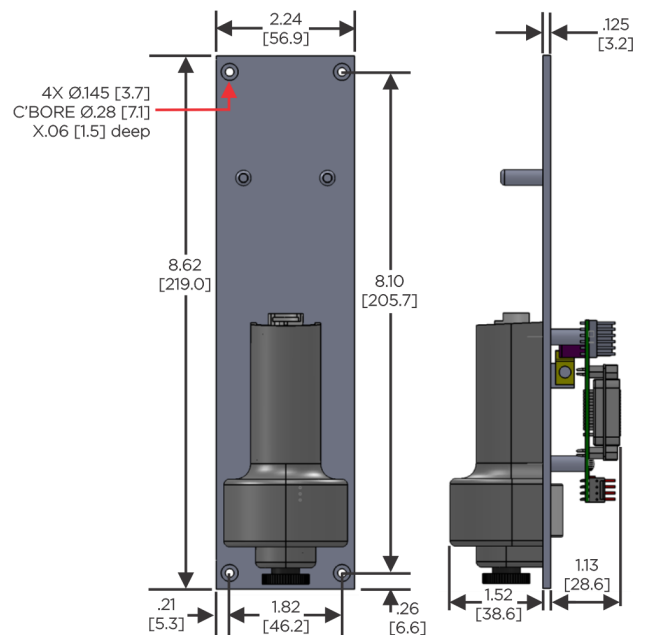
Imprecision (full stroke) at 50 µL to 250 µL	< 1.0% CV
Imprecision (full stroke) at 500 µL to 10 mL	< 0.5% CV
Inaccuracy (full stroke)	< 1.0% syringe volume

ENVELOPE AND MOUNTING DRAWING

AccuPump2 for Diluent Syringes (with valve)



AccuPump2 for Sample Syringes (without valve)



Note: Dimensions in inches [mm] unless otherwise specified.

ECONOMICAL PUMP SOLUTIONS FOR OEMS WORLDWIDE

tricontinent.com



TriContinent Scientific, Inc.
12555 Loma Rica Drive
Grass Valley, CA 95945
USA
Tel: 800-937-4738
Fax: 530-273-2586
liquidhandling.tcs@gardnerdenver.com

Gardner Denver Thomas GmbH
Livry-Gargan-Str. 10
82256 Fürstenfeldbruck
Germany
Tel: +49 8141 2280 0
Fax: +49 8141 8892136
thomas.de@gardnerdenver.com

Gardner Denver Hong Kong, Limited
Unit 1317-1318 Delta House, 3 On Yiu Street
Siu Lek Yuen, Shatin, New Territories
Hong Kong
Tel: +852 26903502
Fax: +852 27924598
thomas.hk@gardnerdenver.com

TRICONTINENT
by Gardner Denver

The information presented in this material is based on technical data and test results of nominal units. It is believed to be accurate and reliable and is offered as an aid to help in the selection of TriContinent products. It is the responsibility of the user to determine the suitability of the product for the intended use and the user assumes all risk and liability in connection therewith. TriContinent does not warrant, guarantee or assume any obligation or liability in connection with this information.

Photos of products pictured in this catalog do not necessarily represent a specific model number. To obtain further information for custom options, contact your local TriContinent office.

Printed in USA Form No. MKT90036 B © Gardner Denver TriContinent. All rights reserved.