

Rotary Valve Controller

FEATURES

- > Provides precise fluid flow control
- > Compatible with all C-Series rotary shear valves
- > Fast actuation (<250 ms between neighboring ports)
- > Address a maximum of 15 controllers individually
- > Long-life and maintenance free drive

CUSTOMER REQUIREMENTS

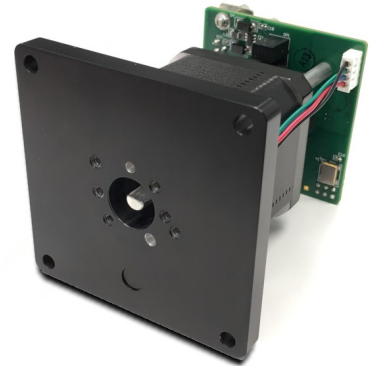
- > Interface
 - Type RS232, RS485 or CAN
 - Communication Rates RS232/RS485 9600 or 38400 baud
CAN—100K, 125K, 250K, 500K, 1M bps
 - Format (RS232/RS485) Data Bits - 8, Parity - None, Stop Bit - 1
Half Duplex, Data Terminal and OEM protocols
- > Environmental (Operating)
 - Temperature 15°C to 40°C (59°F to 104°F)
 - Humidity 20 to 95% RH at 40°C (104°F)

OEM OPTIONS

- > Custom configurations possible
- > Valve pre-installed
- > Pre-configured for specific valve

BASE MODEL

Rotary Valve Controller

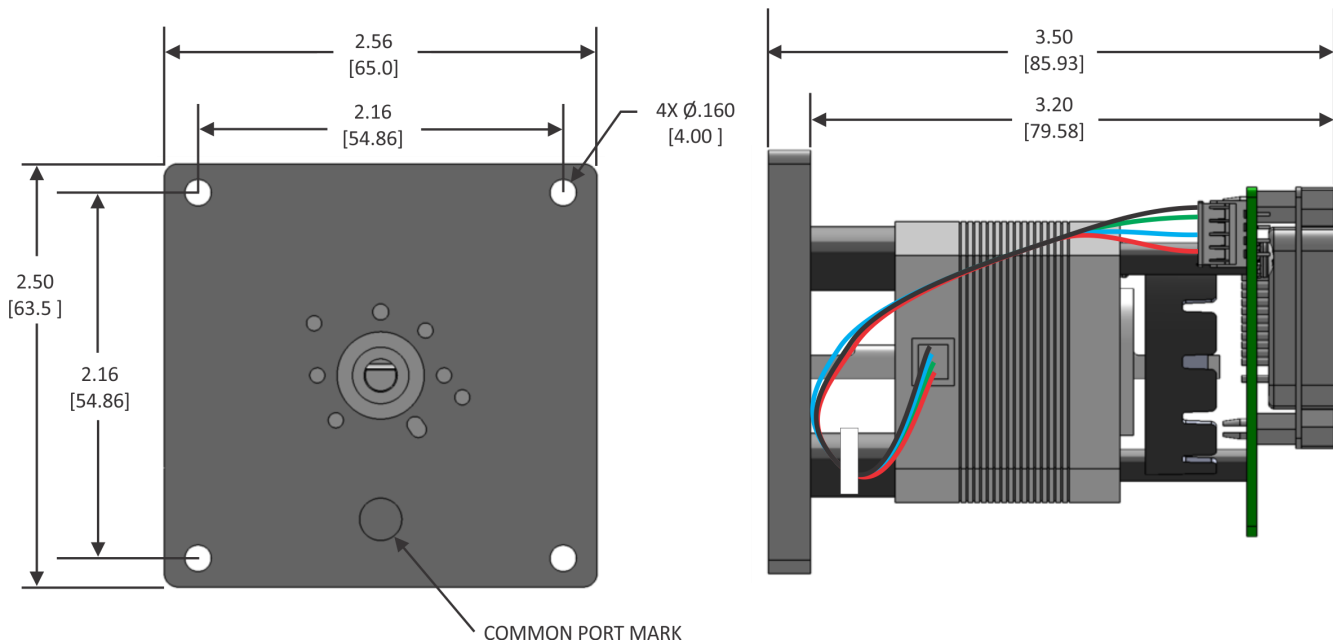


SPECIFICATIONS

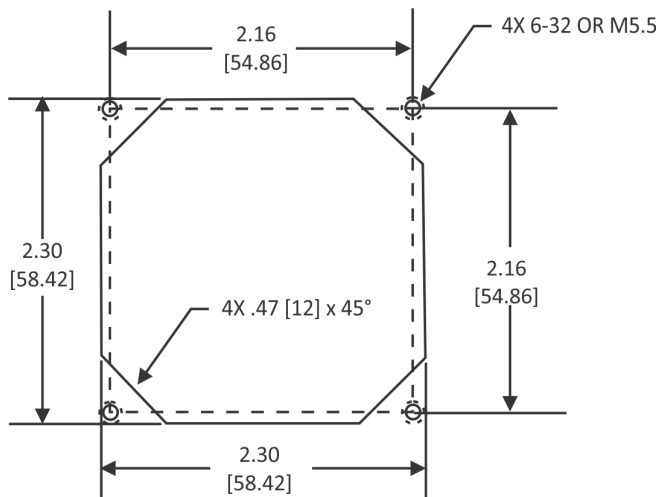
Valve	Options Porting Wetted Material Pressure	C-Series Valve 1/4-28 female ports, common port at bottom PEEK or PCTFE body, PTFE or UHMWPE plug 100 PSI maximum
Mechanical	Dimensions Interface Weight	2.50 in. x 2.56 in. x 3.5 in. [63.5 mm x 65.0 mm x 89 mm] nominal, without valve 4 each 0.160 in. [4.00 mm] diameter holes 0.8 lbs. (0.36 kg) maximum with valve
Electrical	Supply Voltage Current Turn Time	24 VDC 1.5 A peak ~250mS between adjacent ports
Interface	Type Communication Protocol Inputs/Outputs Connector	RS232, RS485 or CAN 9600 or 38400 baud (RS232/RS485); 100K, 125K, 250K, 500K, 1M bps (CAN) DT & OEM protocols, valve command interface Two inputs & Three outputs 15 Pin Male DSUB

Mechanical Envelope and Interface

(Dimensions reference only)



Suggested Panel Mount Features



Note: Dimensions in inches [mm] unless otherwise specified.

ROTARY VALVE CONTROLLER

tricontinent.com



TriContinent Scientific, Inc.
 12555 Loma Rica Drive
 Grass Valley, CA 95945
 USA
 Tel: 800-937-4738
 Fax: 530-273-2586
liquidhandling@tricontinent.com

Gardner Denver Thomas GmbH
 Livry-Gargan-Str. 10
 82256 Fürstenfeldbruck
 Germany
 Tel: +49 8141 2280 0
 Fax: +49 8141 8892136
thomas.de@gardnerdenver.com

Gardner Denver Hong Kong, Limited
 Unit 1317-1318 Delta House, 3 On Yiu Street
 Siu Lek Yuen, Shatin, New Territories
 Hong Kong
 Tel: +852 26903502
 Fax: +852 27924598
thomas.hk@gardnerdenver.com



The information presented in this material is based on technical data and test results of nominal units. It is believed to be accurate and reliable and is offered as an aid to help in the selection of TriContinent products. It is the responsibility of the user to determine the suitability of the product for the intended use and the user assumes all risk and liability in connection there with. TriContinent does not warrant, guarantee or assume any obligation or liability in connection with this information.

Photos of products pictured in this catalog do not necessarily represent a specific model number. To obtain further information for custom options, contact your local TriContinent office.

Printed in USA Form No. MKT90037 C © Gardner Denver TriContinent. All rights reserved.